

Intelligent Automatic Self Priming Jet-Venturi Pump with Built-In Auto Pressure Controller



AQUATICA
water pumps
DIFFERENT - BETTER

MADE USING ITALIAN MECHANICAL SEAL BY MTU GROUP (Meccanotecnica Umbra S.p.A.)
MADE USING GERMAN **FAG** ROLLER BEARINGS (Schaeffler Technologies AG and Co.)



THE FUTURE
HAS ARRIVED
It's all system GO !



- These Pumps can be modified for liquid temperature 0° to 99°C. (H-Model for temperatures over 40°C - available upon application)
- Also available with remote monitoring via internet or mobile phone to check operation and current state of Water Pump (upon application).



- Ideal usage for movement of clean water for Domestic General Garden Use / Light Industrial use / Irrigation / Lawn sprinkling and Water Transfer, etc.
- Intelligent Stainless Steel Jet -Venturi Pump available in 3 performance and power options:

Wattage / Power

- 550 W
- 750 W
- 1100 W

Model No.

- AQS2-IJ550
- AQS2-IJ750
- AQS2-IJ1100



Material

- Built In Auto pressure Control - No More Press Control Tower.
- Stainless Steel Pump - Water Bowl.
- Stainless Steel Water Bowl held on with 8 Stainless Steel bolts (Against standard of only 4 or 6 bolts).
- Using German **FAG** Roller Bearings for main shaft.
- AISI 304 stainless steel welded shaft.
- Impeller made of **Stainless Steel** (not plastic PPO or Noryl).
- 1st Grade Motor using solid Copper Windings
- Stator and Rotor made of precision punched Silicon Steel Sheet.
- Manufactured using the world's #1 Italian made Mechanical Seal by Meccanotecnica Umbra S.p.A. (MTU Group).
- Manufactured using Italian Designed Intelligent Pump Controlling Technique and over 20+ Years experience with Auto Pressure Controls and Water Pumps.
- Built-in Run Dry of water Cut Out and Thermal Over Load & Heating Protector.
- Pump will stop running when hot and will Automatically Reset once Water is available.
- 1.5m long 240 Volt power lead with standard 3 pin plug.

Application

- Can be used to transfer clean water or other liquids similar to water with similar physical and non corrosive properties.
- Suitable for Domestic water pumping from rainwater tanks, to use with a garden hose, sprinklers on lawns, irrigation and general garden and household use etc.
- Reduction in overall height - great for tight spots!

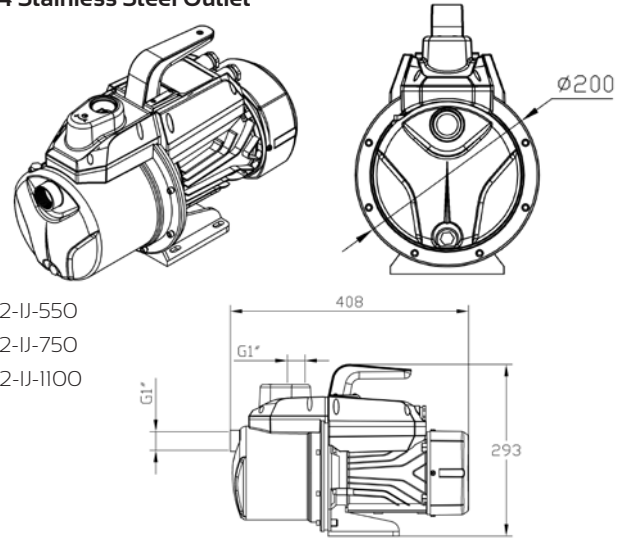
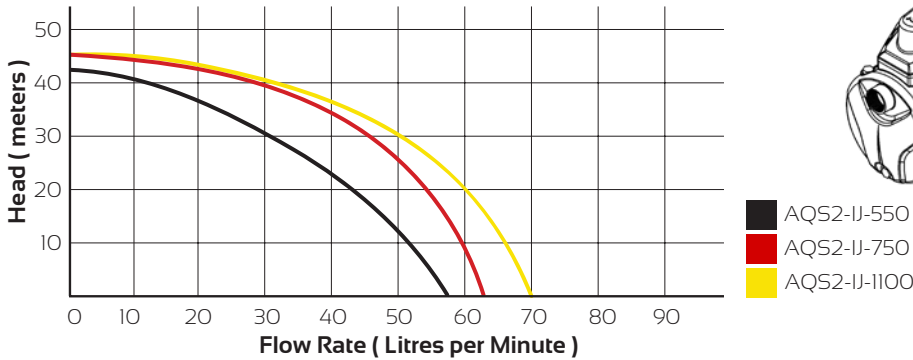
Intelligent Automatic Self Priming Jet-Venturi Pump with Built-In Auto Pressure Controller



Basic Credentials

- Input voltage frequency: AC240V 50Hz
- Insulation class: F - Protection class: IPX4
- Maximum ambient temperature: +40°C
- Maximum liquid temperature: +40°C
- Maximum liquid temperature **H-Model**: +99°C
- Built In electronics on body of motor
- Maximum suction: 9.5 Meters
- Maximum working pressure: 8 Bar
- Motor made with solid Copper Winding and **#304 Stainless Steel Impeller**
- Built in Run Dry and Thermal Overheating Protector
- Automatic Restart once water source is available
- 1 inch / 25 mm **#304 Stainless Steel Outlet**

Performance Curves



Technical Data

Pump Model	Power (W) - (kW)	HP	Amps (A)	Max. FLOW	Max. HEAD	Inlet / OutletW	Water Temp
■ AQ52-IJ550	550 W - 0.55 kW	0.7	10 amp	58 L/min 3.5 m³/h	42 m	G 1" - 25 mm	+40°C
■ AQ52-IJ750	750 W - 0.75 kW	1.0	10 amp	63 L/min 3.8 m³/h	45 m	G 1" - 25 mm	+40°C
■ AQ52-IJ1100	1100 W - 1.10 kW	1.4	10 amp	70 L/min 4.2 m³/h	45 m	G 1" - 25 mm	+40°C

Functions, Features & Benefits

- Pumps can start or stop AUTOMATICALLY based on water availability from the source and pipeline pressure conditions.
- Pump will stop when you close the garden hose nozzle and start again AUTOMATICALLY when you re-open hose nozzle without going to and from the tap.
- Buffer tank is built inside controller which replaces traditional water supply controlling system.
- All Pumps have Run-Dry of Water Cut-Out Protection built in.
- The Pumps can detect and reset automatically according to the built in program once water is available and flowing.
- All Pumps in this range are Single Phase - 240 V / 50 Hz.
- Manufactured by a Company with +20 years in Auto Pressure Controllers and Water Pump experience.

Package & Overall Dimensions

Pump Model	Size (mm) L	Size (mm) W	Size (mm) H	G.W (KG)
■ AQ52-IJ550	460	225	330	11.4
■ AQ52-IJ750	460	225	330	12.0
■ AQ52-IJ1100	460	225	330	12.6



Preferred Distributor Details...

